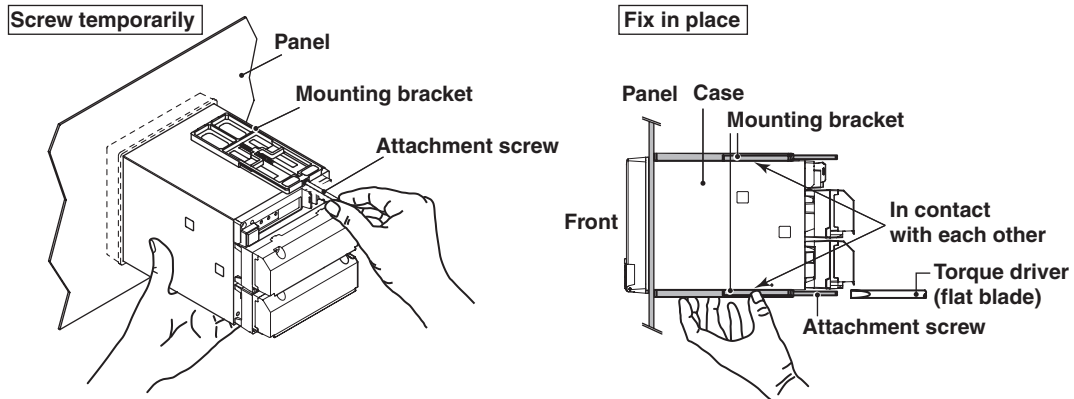


Please make the following alterations to the User's Manual IM04L05A01-01E (see underlined text).

Page 2-7 "Installation Procedure (Panel Mount Type)"

2. As shown in the figure below, mount the DX100P to the panel using the mounting brackets that came with the package.
- Use two brackets to support the top and bottom or the left and right sides of the case. (Remove the seal that is covering the holes for the mounting brackets beforehand.)
 - The proper torque for tightening the mounting screws is 0.7 to 0.9 Nm.
 - Mount the DX100P to the panel according to the procedure below.
 - First, attach the two mounting brackets and temporarily fasten the attachment screws.
 - Next, fix the DX100P in place by tightening the attachment screws with the appropriate torque. When the DX100P is approximately perpendicular to the panel as you fasten the screws, press the mounting bracket against the case so that they are in contact with each other.



Page 5-26 "5.14 Setting the Brightness of the Screen and the Backlight Saver Function"

Note

The degradation of the brightness and the discoloration of the screen (become yellowish) tend to progress faster as the brightness is set higher. Extended use at an unnecessary high setting should be avoided. It is also recommended that the backlight saver be used.

Page 10-5 "10.4 Recommended Replacement Periods for Worn Parts"

Note

- The LCD replacement period indicates the half life of the brightness when the brightness is set to the factory default setting. The half life is shortened as the brightness is set higher. The deterioration of brightness varies depending on the condition of use, and its determination is subjective. Consider these facts for determining the actual replacement period.
- The color of the LCD may become yellowish as time elapses. The discoloration tends to progress faster as the brightness is set higher.